



## 3.3 V RS-485 TRANSCEIVERS

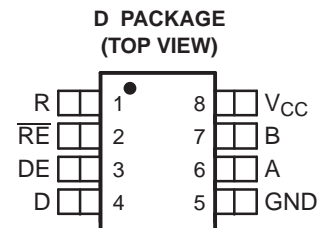
### FEATURES

- **Controlled Baseline**
  - One Assembly/Test Site
  - One Fabrication Site
- **Extended Temperature Performance of Up to –40°C to 125°C and –55°C to 125°C**
- **Enhanced Diminishing Manufacturing Sources (DMS) Support**
- **Enhanced Product-Change Notification**
- **Qualification Pedigree <sup>(1)</sup>**
- **Operates With a 3.3 V Supply**
- **Bus-Pin ESD Protection Exceeds 16 kV HBM**
- **1/8 Unit-Load Option Available (Up to 256 Nodes on the Bus)**
- **Optional Driver Output Transition Times for Signaling Rates of 1 Mbps, 10 Mbps, and 25 Mbps <sup>(2)</sup>**
- **Meets or Exceeds the Requirements of ANSI TIA/EIA-485-A**
- **Bus-Pin Short Circuit Protection From –7 V to 12 V**
- **Low-Current Standby Mode . . . 1  $\mu$ A (Typ)**
- **Open-Circuit, Idle-Bus, and Shorted-Bus Failsafe Receiver**
- **Thermal Shutdown Protection**
- **Glitch-Free Power-Up and Power-Down Protection for Hot-Plugging Applications**
- **SN75176 Footprint**

- (1) Component qualification in accordance with JEDEC and industry standards to ensure reliable operation over an extended temperature range. This includes, but is not limited to, Highly Accelerated Stress Test (HAST) or biased 85/85, temperature cycle, autoclave or unbiased HAST, electromigration, bond intermetallic life, and mold compound life. Such qualification testing should not be viewed as justifying use of this component beyond specified performance and environmental limits.
- (2) The signaling rate of a line is the number of voltage transitions that are made per second expressed in the units bps (bits per second).

### APPLICATIONS

- **Digital Motor Control**
- **Utility Meters**
- **Chassis-to-Chassis Interconnects**
- **Electronic Security Stations**
- **Industrial Process Control**
- **Building Automation**
- **Point-of-Sale (POS) Terminals and Networks**



### DESCRIPTION/ORDERING INFORMATION

The SN65HVD10, SN65HVD11, and SN65HVD12 combine a 3-state differential line driver and differential input line receiver that operate with a single 3.3 V power supply. They are designed for balanced transmission lines and meet or exceed ANSI standard TIA/EIA-485-A and ISO 8482:1993. These differential bus transceivers are monolithic integrated circuits designed for bidirectional data communication on multipoint bus-transmission lines. The drivers and receivers have active-high and active-low enables respectively, that can be externally connected together to function as direction control. Low device standby supply current can be achieved by disabling the driver and the receiver.

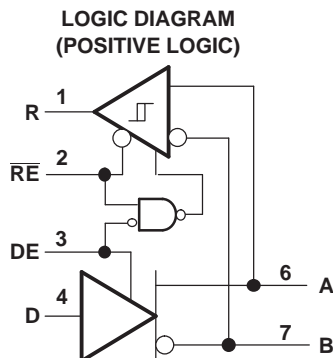
The driver differential outputs and receiver differential inputs connect internally to form a differential input/output (I/O) bus port that is designed to offer minimum loading to the bus whenever the driver is disabled or  $V_{CC} = 0$ . These parts feature wide positive and negative common-mode voltage ranges, making them suitable for party-line applications.



Please be aware that an important notice concerning availability, standard warranty, and use in critical applications of Texas Instruments semiconductor products and disclaimers thereto appears at the end of this data sheet.



These devices have limited built-in ESD protection. The leads should be shorted together or the device placed in conductive foam during storage or handling to prevent electrostatic damage to the MOS gates.



**ORDERING INFORMATION<sup>(1)</sup>**

| SIGNALING RATE | UNIT LOADS | T <sub>A</sub> | PACKAGE SOIC <sup>(2)(3)</sup> | SOIC MARKING |
|----------------|------------|----------------|--------------------------------|--------------|
| 25 Mbps        | 1/2        | –40°C to 125°C | SN65HVD10QDREP                 | V10QEP       |
| 10 Mbps        | 1/8        |                | SN65HVD11QDREP <sup>(4)</sup>  | V11QEP       |
| 1 Mbps         | 1/8        | –40°C to 85°C  | SN65HVD12IDREP                 | V12IEP       |
| 25 Mbps        | 1/2        | –55°C to 125°C | SN65HVD10MDREP                 | V10MEP       |

- (1) For the most current package and ordering information, see the Package Option Addendum at the end of this document, or see the TI Web site at [www.ti.com](http://www.ti.com).
- (2) Package drawings, thermal data, and symbolization are available at [www.ti.com/packaging](http://www.ti.com/packaging).
- (3) The D package is taped and reeled as indicated by the R suffix to the part number (i.e., SN65HVD10QDREP).
- (4) Product Preview

**ABSOLUTE MAXIMUM RATINGS<sup>(1)(2)</sup>**

over operating free-air temperature range (unless otherwise noted)

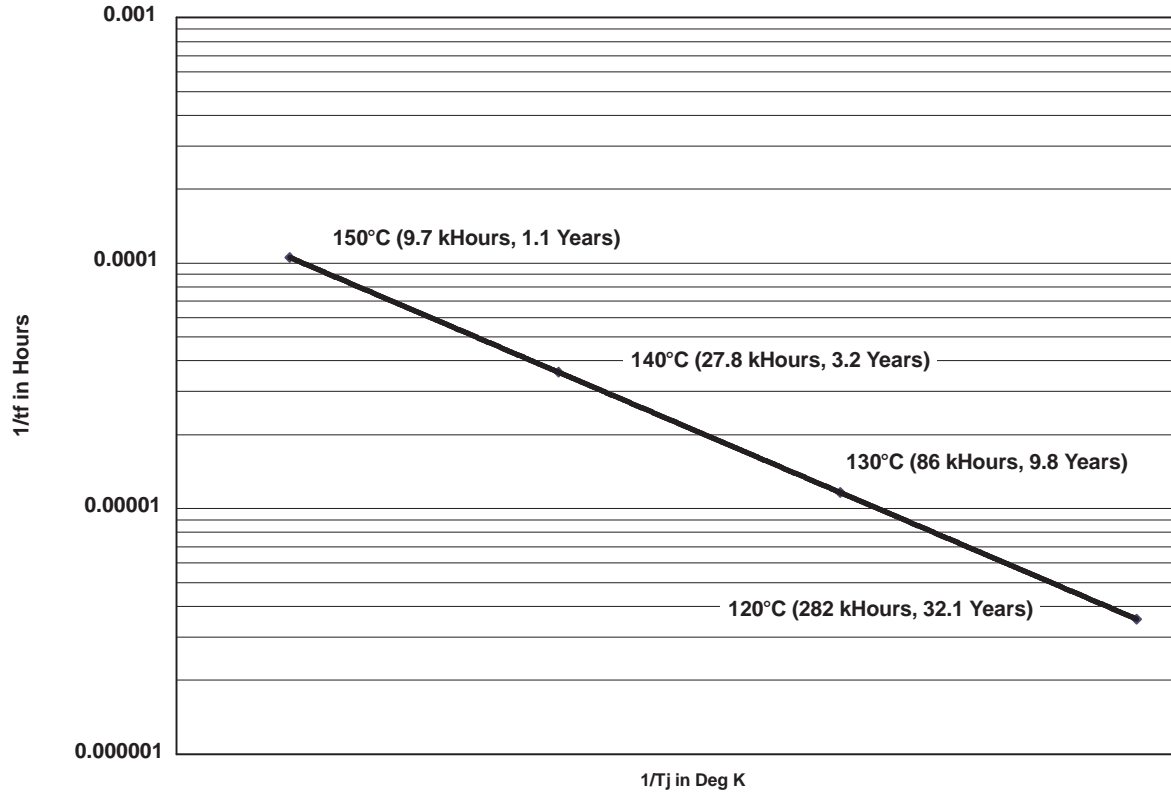
|  |                                     |                 | SN65HVD10-EP<br>SN65HVD11-EP<br>SN65HVD12-EP |
|--|-------------------------------------|-----------------|--|
| Supply voltage range, V <sub>CC</sub>  |                                     |                 | –0.3 V to 6 V                                |
| Voltage range at A or B  |                                     |                 | –9 V to 14 V                                 |
| Input voltage range at D, DE, R, or RE                                       |                                     |                 | –0.5 V to V <sub>CC</sub> + 0.5 V            |
| Voltage input range, transient pulse, A and B, through 100 Ω (see Figure 11) |                                     |                 | –50 V to 50 V                                |
| Electrostatic discharge  | Human body model <sup>(3)</sup>     | A, B, and GND   | 16 kV  |
|  |                                     | All pins        | 4 kV   |
|  | Charged-device model <sup>(4)</sup> | All pins Charge | 1 kV   |
| Continuous total power dissipation   |                                     |                 | See Package Dissipation Rating Table         |
| Storage temperature range, T <sub>stg</sub>                                  |                                     |                 | –65°C to 150°C                               |
| Lead temperature 1,6 mm (1/16 in) from case for 10 s                         |                                     |                 | 260°C  |

- (1) Stresses beyond those listed under "absolute maximum ratings" may cause permanent damage to the device. These are stress ratings only, and functional operation of the device at these or any other conditions beyond those indicated under "recommended operating conditions" is not implied. Exposure to absolute-maximum-rated conditions for extended periods may affect device reliability.
- (2) All voltage values, except differential I/O bus voltages, are with respect to network ground terminal.
- (3) Tested in accordance with JEDEC Standard 22, Test Method A114-A.
- (4) Tested in accordance with JEDEC Standard 22, Test Method C101.

**PACKAGE DISSIPATION RATINGS**

| PACKAGE          | T <sub>A</sub> ≤ 25°C<br>POWER RATING | DERATING FACTOR <sup>(1)</sup><br>ABOVE T <sub>A</sub> = 25°C | T <sub>A</sub> = 70°C<br>POWER RATING | T <sub>A</sub> = 85°C<br>POWER RATING | T <sub>A</sub> = 125°C<br>POWER RATING |
|------------------|---------------------------------------|---|---------------------------------------|---------------------------------------|--|
| D <sup>(2)</sup> | 597 mW                                | 4.97 mW/°C  | 373 mW                                | 298 mW                                | 100 mW                                 |
| D <sup>(3)</sup> | 990 mW                                | 8.26 mW/°C  | 620 mW                                | 496 mW                                | 165 mW                                 |

- (1) This is the inverse of the junction-to-ambient thermal resistance when board-mounted and with no air flow.
- (2) Tested in accordance with the Low-K thermal metric definitions of EIA/JESD51-3.
- (3) Tested in accordance with the High-K thermal metric definitions of EIA/JESD51-7.



**Figure 1. Estimated Device Life Based Kirkendall Voiding Failure Mode**

## RECOMMENDED OPERATING CONDITIONS

|   |                        | MIN               | NOM | MAX      | UNIT     |
|---|------------------------|-------------------|-----|----------|----------|
| Supply voltage, $V_{CC}$  |                        | 3                 |     | 3.6      | V        |
| Voltage at any bus terminal (separately or common mode) $V_I$ or $V_{IC}$ |                        | -7 <sup>(1)</sup> |     | 12       | V        |
| High-level input voltage, $V_{IH}$  | D, DE, $\overline{RE}$ | 2                 |     | $V_{CC}$ | V        |
| Low-level input voltage, $V_{IL}$   | D, DE, $\overline{RE}$ | 0                 |     | 0.8      | V        |
| Differential input voltage, $V_{ID}$ (see <a href="#">Figure 8</a> )      |                        | -12               |     | 12       | V        |
| High-level output current, $I_{OH}$                                       | Driver                 | -60               |     |          | mA       |
|   | Receiver               | -8                |     |          |          |
| Low-level output current, $I_{OL}$  | Driver                 |                   |     | 60       | mA       |
|   | Receiver               |                   |     | 8        |          |
| Differential load resistance, $R_L$                                       |                        | 54                | 60  |          | $\Omega$ |
| Differential load capacitance, $C_L$                                      |                        |                   | 50  |          | pF       |
| Signaling rate  | HVD10                  |                   |     | 25       | Mbps     |
|   | HVD11                  |                   |     | 10       |          |
|   | HVD12                  |                   |     | 1        |          |

(1) The algebraic convention, in which the least positive (most negative) limit is designated as minimum is used in this data sheet.

## DRIVER ELECTRICAL CHARACTERISTICS

over recommended operating free-air temperature range (unless otherwise noted)

| PARAMETER           |  | TEST CONDITIONS   | MIN   | TYP <sup>(1)</sup> | MAX      | UNIT          |
|---------------------|--|---|---|--------------------|----------|---------------|
| $V_{IK}$            | Input clamp voltage                                | $I_I = -18 \text{ mA}$  | -1.5  |                    |          | V             |
| $ V_{OD} $          | Differential output voltage <sup>(2)</sup>         | $I_O = 0$   | 2   |                    | $V_{CC}$ | V             |
|                     |  | $R_L = 54 \Omega$ , See Figure 2  | 1.5   |                    |          |               |
|                     |  | $V_{test} = -7 \text{ V to } 12 \text{ V}$ , See Figure 3                 | 1.5   |                    |          |               |
| $\Delta V_{OD} $    | Change in magnitude of differential output voltage | See Figure 2 and Figure 3   | -0.2  |                    | 0.2      | V             |
| $V_{OC(PP)}$        | Peak-to-peak common-mode output voltage            | See Figure 4  |   | 400                |          | mV            |
| $V_{OC(SS)}$        | Steady-state common-mode output voltage            |   | 1.4   |                    | 2.5      | V             |
| $\Delta V_{OC(SS)}$ | Change in steady-state common-mode output voltage  |   | -0.05   |                    | 0.05     | V             |
| $I_{OZ}$            | High-impedance output current                      | See receiver input currents   |   |                    |          |               |
| $I_I$               | Input current                                      | D   | -100  |                    | 0        | $\mu\text{A}$ |
|                     |  | DE  | 0   |                    | 100      |               |
| $I_{OS}$            | Short-circuit output current                       | $-7 \text{ V} \leq V_O \leq 12 \text{ V}$                                 | -250  |                    | 250      | mA            |
| $C_{(OD)}$          | Differential output capacitance                    | $V_{OD} = 0.4 \sin(4E6\pi t) + 0.5 \text{ V}$ , DE at 0 V                 |   | 16                 |          | pF            |
| $I_{CC}$            | Supply current                                     | $\overline{RE}$ at $V_{CC}$ ,<br>D and DE at $V_{CC}$ ,<br>No load        | Receiver disabled<br>and driver enabled               | 9                  | 15.5     | mA            |
|                     |  | $\overline{RE}$ at $V_{CC}$ ,<br>D at $V_{CC}$ ,<br>DE at 0 V,<br>No load | Receiver disabled<br>and driver disabled<br>(standby) | 1                  | 5        | $\mu\text{A}$ |
|                     |  | $\overline{RE}$ at 0 V,<br>D and DE at $V_{CC}$ ,<br>No load              | Receiver enabled<br>and driver enabled                | 9                  | 15.5     | mA            |

(1) All typical values are at 25°C and with a 3.3 V supply.

 (2) For  $T_A > 85^\circ\text{C}$ ,  $V_{CC}$  is  $\pm 5\%$ .

## DRIVER SWITCHING CHARACTERISTICS

over recommended operating free-air temperature range (unless otherwise noted)

| PARAMETER                          |   | TEST CONDITIONS | MIN | TYP <sup>(1)</sup> | MAX  | UNIT |
|------------------------------------|---|-----------------|-----|--------------------|------|------|
| t <sub>PLH</sub>                   | Propagation delay time, low-to-high level output            | HVD10           | 5   | 8.5                | 16   | ns   |
|                                    |   | HVD11           | 18  | 25                 | 40   |      |
|                                    |   | HVD12           | 135 | 200                | 330  |      |
| t <sub>PHL</sub>                   | Propagation delay time, high-to-low level output            | HVD10           | 5   | 8.5                | 16   | ns   |
|                                    |   | HVD11           | 18  | 25                 | 40   |      |
|                                    |   | HVD12           | 135 | 200                | 330  |      |
| t <sub>r</sub>                     | Differential output signal rise time                        | HVD10           | 3   | 4.5                | 11.5 | ns   |
|                                    |   | HVD11           | 10  | 20                 | 30   |      |
|                                    |   | HVD12           | 100 | 170                | 330  |      |
| t <sub>f</sub>                     | Differential output signal fall time                        | HVD10           | 3   | 4.5                | 11.5 | ns   |
|                                    |   | HVD11           | 10  | 20                 | 30   |      |
|                                    |   | HVD12           | 100 | 170                | 330  |      |
| t <sub>sk(p)</sub>                 | Pulse skew ( t <sub>PHL</sub> - t <sub>PLH</sub>  )         | HVD10           |     |                    | 1.5  | ns   |
|                                    |   | HVD11           |     |                    | 2.5  |      |
|                                    |   | HVD12           |     |                    | 9    |      |
| t <sub>sk(pp)</sub> <sup>(2)</sup> | Part-to-part skew   | HVD10           |     |                    | 6    | ns   |
|                                    |   | HVD11           |     |                    | 11   |      |
|                                    |   | HVD12           |     |                    | 100  |      |
| t <sub>PZH</sub>                   | Propagation delay time, high impedance-to-high level output | HVD10           |     |                    | 33   | ns   |
|                                    |   | HVD11           |     |                    | 55   |      |
|                                    |   | HVD12           |     |                    | 320  |      |
| t <sub>PHZ</sub>                   | Propagation delay time, high level-to-high-impedance output | HVD10           |     |                    | 26   | ns   |
|                                    |   | HVD11           |     |                    | 55   |      |
|                                    |   | HVD12           |     |                    | 320  |      |
| t <sub>PZL</sub>                   | Propagation delay time, high impedance-to-low-level output  | HVD10           |     |                    | 26   | ns   |
|                                    |   | HVD11           |     |                    | 55   |      |
|                                    |   | HVD12           |     |                    | 320  |      |
| t <sub>PLZ</sub>                   | Propagation delay time, low level-to-high-impedance output  | HVD10           |     |                    | 26   | ns   |
|                                    |   | HVD11           |     |                    | 75   |      |
|                                    |   | HVD12           |     |                    | 420  |      |
| t <sub>PZH</sub>                   | Propagation delay time, standby-to-high-level output        | I and Q-temp    |     |                    | 6    | μs   |
|                                    |   | M-temp          |     |                    | 14   |      |
| t <sub>PZL</sub>                   | Propagation delay time, standby-to-low-level output         | I and Q-temp    |     |                    | 6    | μs   |
|                                    |   | M-temp          |     |                    | 14   |      |

(1) All typical values are at 25°C and with a 3.3 V supply.

(2) t<sub>sk(pp)</sub> is the magnitude of the difference in propagation delay times between any specified terminals of two devices when both devices operate with the same supply voltages, at the same temperature, and have identical packages and test circuits.

## RECEIVER ELECTRICAL CHARACTERISTICS

over recommended operating free-air temperature range (unless otherwise noted)

| PARAMETER |  | TEST CONDITIONS   |   | MIN          | TYP <sup>(1)</sup> | MAX   | UNIT    |
|-----------|--|---|---|--------------|--------------------|-------|---------|
| $V_{IT+}$ | Positive-going input threshold voltage     | $I_O = -8$ mA   |   |              |                    | -0.01 | V       |
| $V_{IT-}$ | Negative-going input threshold voltage     | $I_O = 8$ mA  |   | -0.2         |                    |       | V       |
| $V_{hys}$ | Hysteresis voltage ( $V_{IT+} - V_{IT-}$ ) |   |   |              | 35                 |       | mV      |
| $V_{IK}$  | Enable-input clamp voltage                 | $I_I = -18$ mA  |   | -1.5         |                    |       | V       |
| $V_{OH}$  | High-level output voltage                  | $V_{ID} = 200$ mV,  | $I_{OH} = -8$ mA,                               | See Figure 8 |                    | 2.4   | V       |
| $V_{OL}$  | Low-level output voltage                   | $V_{ID} = -200$ mV,   | $I_{OL} = 8$ mA,                                | See Figure 8 |                    | 0.4   | V       |
| $I_{OZ}$  | High-impedance-state output current        | $V_O = 0$ or $V_{CC}$   | $\overline{RE}$ at $V_{CC}$                     | -1           |                    | 1     | $\mu$ A |
| $I_I$     | Bus input current                          | $V_A$ or $V_B = 12$ V   | HVD11, HVD12,<br>Other input at 0 V             |              | 0.05               | 0.11  | mA      |
|           |  | $V_A$ or $V_B = 12$ V, $V_{CC} = 0$ V                                     |   |              | 0.06               | 0.13  |         |
|           |  | $V_A$ or $V_B = -7$ V   |   |              | -0.1               | -0.05 |         |
|           |  | $V_A$ or $V_B = -7$ V, $V_{CC} = 0$ V                                     |   |              | -0.05              | +0.04 |         |
|           |  | $V_A$ or $V_B = 12$ V   | HVD10,<br>Other input at 0 V                    |              | 0.2                | 0.5   | mA      |
|           |  | $V_A$ or $V_B = 12$ V, $V_{CC} = 0$ V                                     |   |              | 0.25               | 0.5   |         |
|           |  | $V_A$ or $V_B = -7$ V   |   |              | -0.4               | -0.2  |         |
|           |  | $V_A$ or $V_B = -7$ V, $V_{CC} = 0$ V                                     |   |              | -0.4               | -0.15 |         |
| $I_{IH}$  | High-level input current, $\overline{RE}$  | $V_{IH} = 2$ V  |   | -30          |                    | 0     | $\mu$ A |
| $I_{IL}$  | Low-level input current, $\overline{RE}$   | $V_{IL} = 0.8$ V  |   | -30          |                    | 0     | $\mu$ A |
| $C_{ID}$  | Differential input capacitance             | $V_{ID} = 0.4 \sin(4E6\pi t) + 0.5$ V, DE at 0 V                          |   |              | 15                 |       | pF      |
| $I_{CC}$  | Supply current                             | $\overline{RE}$ at 0 V,<br>D and DE at 0 V,<br>No load                    | Receiver enabled and driver disabled            |              | 4                  | 8     | mA      |
|           |  | $\overline{RE}$ at $V_{CC}$ ,<br>D at $V_{CC}$ ,<br>DE at 0 V,<br>No load | Receiver disabled and driver disabled (standby) |              | 1                  | 5     | $\mu$ A |
|           |  | $\overline{RE}$ at 0 V,<br>D and DE at $V_{CC}$ ,<br>No load              | Receiver enabled and driver enabled             |              | 9                  | 15.5  | mA      |

(1) All typical values are at 25°C and with a 3.3 V supply.

## RECEIVER SWITCHING CHARACTERISTICS

over recommended operating free-air temperature range (unless otherwise noted)

| PARAMETER                          |  | TEST CONDITIONS                                     | MIN  | TYP <sup>(1)</sup> | MAX | UNIT |
|------------------------------------|--|---|------|--------------------|-----|------|
| t <sub>PLH</sub>                   | Propagation delay time, low-to-high level output     | HVD10   | 12.5 | 20                 | 25  | ns   |
| t <sub>PHL</sub>                   | Propagation delay time, high-to-low level output     | HVD10   | 12.5 | 20                 | 25  | ns   |
| t <sub>PLH</sub>                   | Propagation delay time, low-to-high level output     | HVD11<br>HVD12                                      | 30   | 55                 | 70  | ns   |
| t <sub>PHL</sub>                   | Propagation delay time, high-to-low level output     | HVD11<br>HVD12                                      | 30   | 55                 | 70  | ns   |
| t <sub>sk(p)</sub>                 | Pulse skew ( t <sub>PHL</sub> - t <sub>PLH</sub>  )  | HVD10   |      |                    | 1.5 | ns   |
|                                    |  | HVD11   |      |                    | 4   |      |
|                                    |  | HVD12   |      |                    | 4   |      |
| t <sub>sk(pp)</sub> <sup>(2)</sup> | Part-to-part skew                                    | HVD10   |      |                    | 8   | ns   |
|                                    |  | HVD11   |      |                    | 15  |      |
|                                    |  | HVD12   |      |                    | 15  |      |
| t <sub>r</sub>                     | Output signal rise time                              | C <sub>L</sub> = 15 pF, See Figure 9                | 1    | 2                  | 6   | ns   |
| t <sub>f</sub>                     | Output signal fall time                              |   | 1    | 2                  | 6   |      |
| t <sub>PZH</sub> <sup>(1)</sup>    | Output enable time to high level                     | C <sub>L</sub> = 15 pF, DE at 3 V,<br>See Figure 10 |      |                    | 16  | ns   |
| t <sub>PZL</sub> <sup>(1)</sup>    | Output enable time to low level                      |   |      |                    | 16  |      |
| t <sub>PHZ</sub>                   | Output disable time from high level                  |   |      |                    | 21  |      |
| t <sub>PLZ</sub>                   | Output disable time from low level                   |   |      |                    | 16  |      |
| t <sub>PZH</sub> <sup>(2)</sup>    | Propagation delay time, standby-to-high-level output | I and Q-temp  |      |                    | 6   | μs   |
|                                    |  | M-temp  |      |                    | 14  |      |
| t <sub>PZL</sub> <sup>(2)</sup>    | Propagation delay time, standby-to-low-level output  | I and Q-temp  |      |                    | 6   |      |
|                                    |  | M-temp  |      |                    | 14  |      |

(1) All typical values are at 25°C and with a 3.3 V supply.

(2) t<sub>sk(pp)</sub> is the magnitude of the difference in propagation delay times between any specified terminals of two devices when both devices operate with the same supply voltages, at the same temperature, and have identical packages and test circuits.

## THERMAL CHARACTERISTICS<sup>(1)</sup>

over operating free-air temperature range (unless otherwise noted)

| PARAMETER        |   | TEST CONDITIONS  |                     | MIN | TYP | MAX | UNIT |
|------------------|---|--|---------------------|-----|-----|-----|------|
| θ <sub>JA</sub>  | Junction-to-ambient thermal resistance <sup>(2)</sup> | High-K board <sup>(3)</sup> , No airflow   | D package           |     | 121 |     | °C/W |
| θ <sub>JB</sub>  | Junction-to-board thermal resistance                  | High-K board   | D package           |     | 67  |     | °C/W |
| θ <sub>JC</sub>  | Junction-to-case thermal resistance                   |  | D package           |     | 41  |     | °C/W |
| P <sub>D</sub>   | Device power dissipation                              | R <sub>L</sub> = 60 Ω, C <sub>L</sub> = 50 pF,<br>DE at V <sub>CC</sub> RE at 0 V,<br>Input to D a 50% duty cycle square<br>wave at indicated signaling rate | HVD10<br>(25 Mbps)  |     | 198 | 233 | mW   |
|                  |   |  | HVD11<br>(10 Mbps)  |     | 141 | 176 | mW   |
|                  |   |  | HVD12<br>(500 kbps) |     | 133 | 161 | mW   |
| T <sub>JSD</sub> | Thermal shutdown junction temperature                 |  |                     |     | 165 |     | °C   |

(1) See *Application Information* section for an explanation of these parameters.

(2) The intent of θ<sub>JA</sub> specification is solely for a thermal performance comparison of one package to another in a standardized environment. This methodology is not meant to and will not predict the performance of a package in an application-specific environment.

(3) JSD51-7, High Effective Thermal Conductivity Test Board for Leaded Surface Mount Packages.



PARAMETER MEASUREMENT INFORMATION

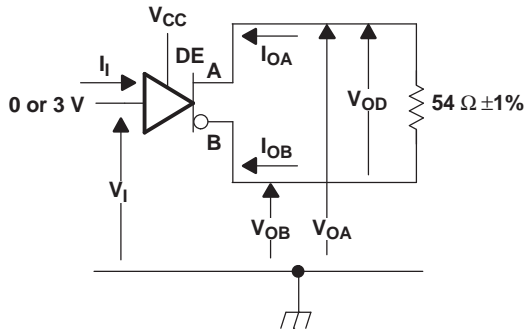


Figure 2. Driver  $V_{OD}$  Test Circuit and Voltage and Current Definitions

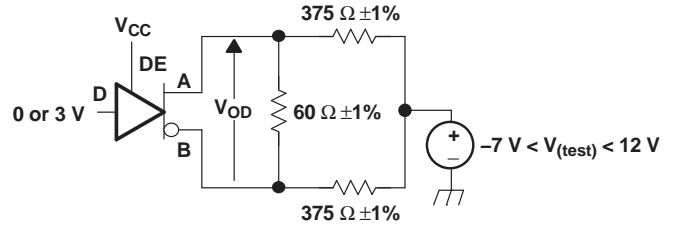
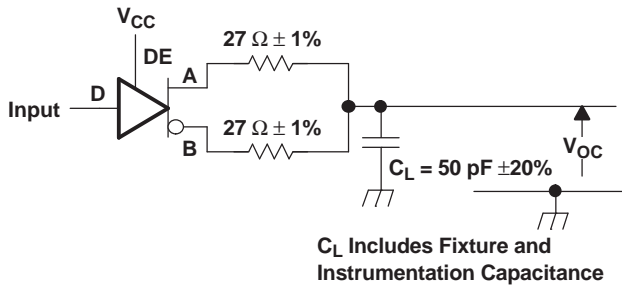
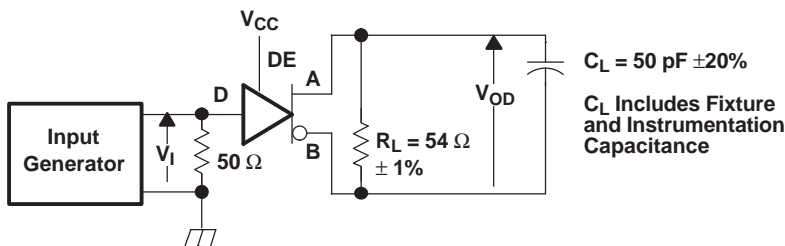
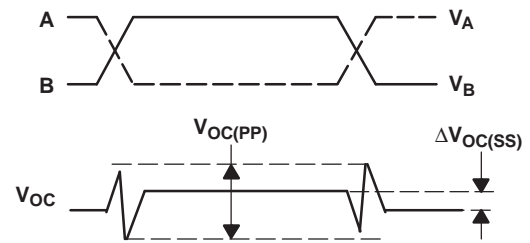


Figure 3. Driver  $V_{OD}$  With Common-Mode Loading Test Circuit



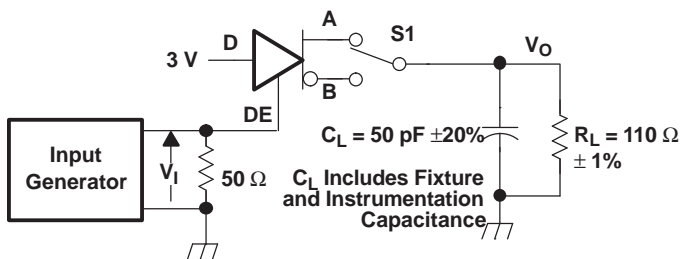
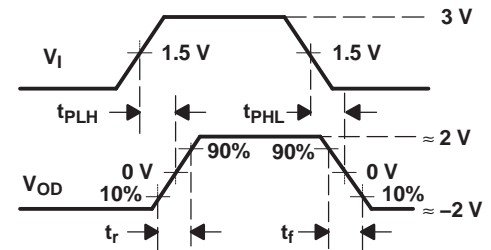
Input: PRR = 500 kHz, 50% Duty Cycle,  $t_r < 6$  ns,  $t_f < 6$  ns,  $Z_0 = 50 \Omega$

Figure 4. Test Circuit and Definitions for the Driver Common-Mode Output Voltage



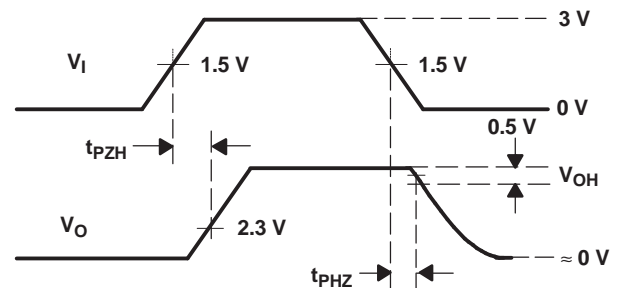
Generator: PRR = 500 kHz, 50% Duty Cycle,  $t_r < 6$  ns,  $t_f < 6$  ns,  $Z_0 = 50 \Omega$

Figure 5. Driver Switching Test Circuit and Voltage Waveforms

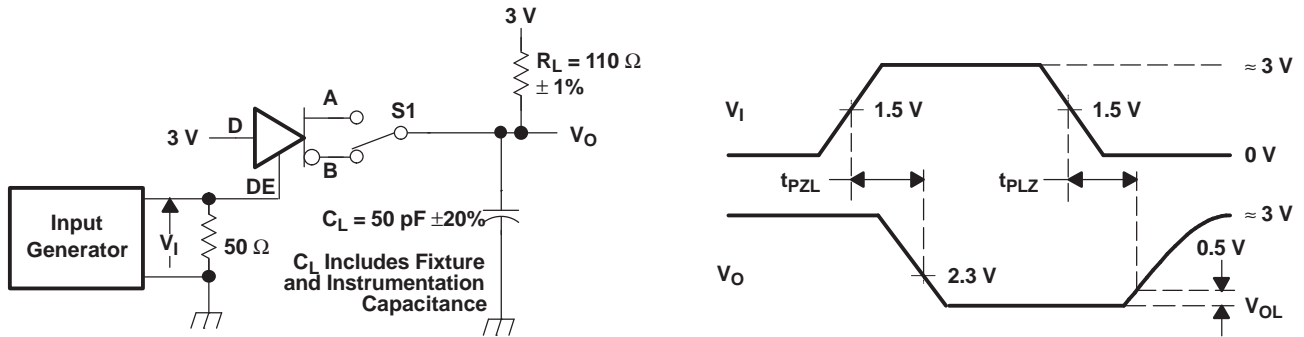


Generator: PRR = 500 kHz, 50% Duty Cycle,  $t_r < 6$  ns,  $t_f < 6$  ns,  $Z_0 = 50 \Omega$

Figure 6. Driver High-Level Enable and Disable Time Test Circuit and Voltage Waveforms



PARAMETER MEASUREMENT INFORMATION (continued)



Generator: PRR = 500 kHz, 50% Duty Cycle,  $t_r < 6$  ns,  $t_f < 6$  ns,  $Z_o = 50 \Omega$

Figure 7. Driver Low-Level Output Enable and Disable Time Test Circuit and Voltage Waveforms

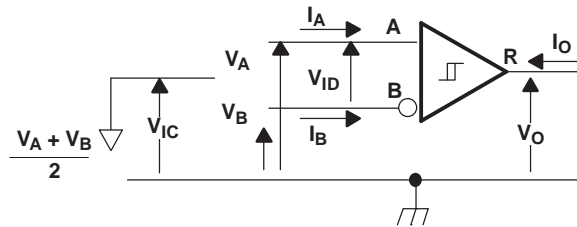
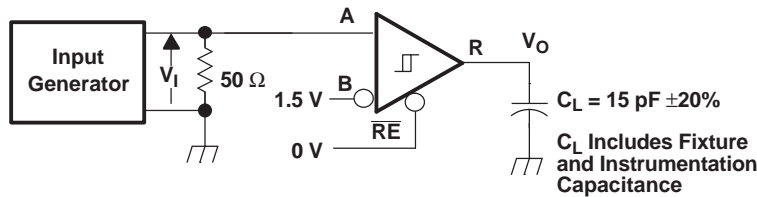


Figure 8. Receiver Voltage and Current Definitions



Generator: PRR = 500 kHz, 50% Duty Cycle,  $t_r < 6$  ns,  $t_f < 6$  ns,  $Z_o = 50 \Omega$

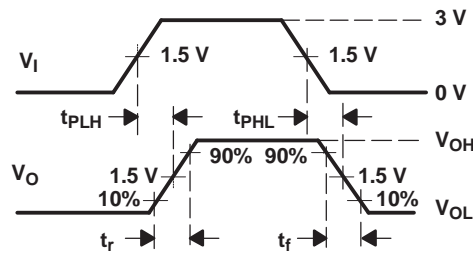
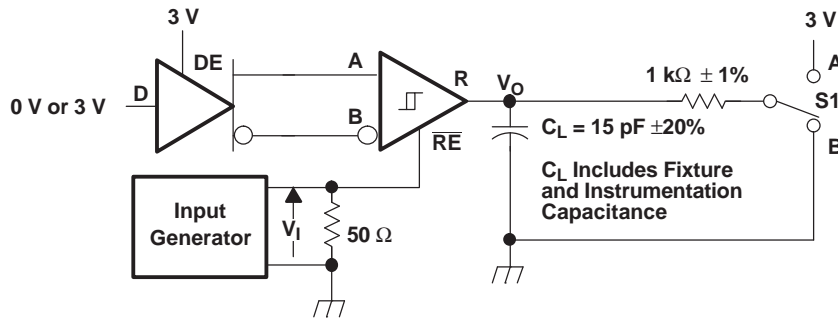
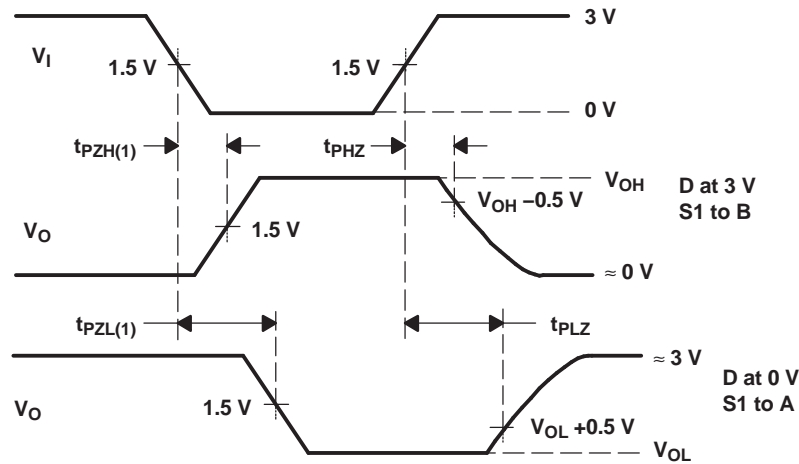


Figure 9. Receiver Switching Test Circuit and Voltage Waveforms

**PARAMETER MEASUREMENT INFORMATION (continued)**



Generator: PRR = 500 kHz, 50% Duty Cycle,  $t_r < 6$  ns,  $t_f < 6$  ns,  $Z_o = 50 \Omega$



**Figure 10. Receiver Enable and Disable Time Test Circuit and Voltage Waveforms With Drivers Enabled**

PARAMETER MEASUREMENT INFORMATION (continued)

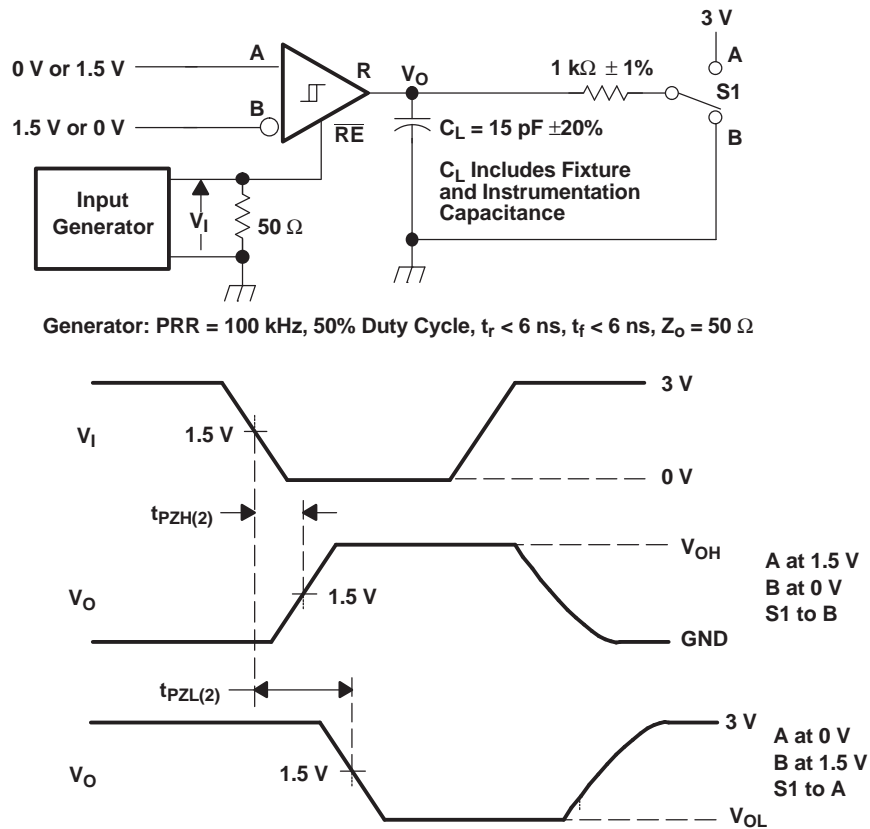
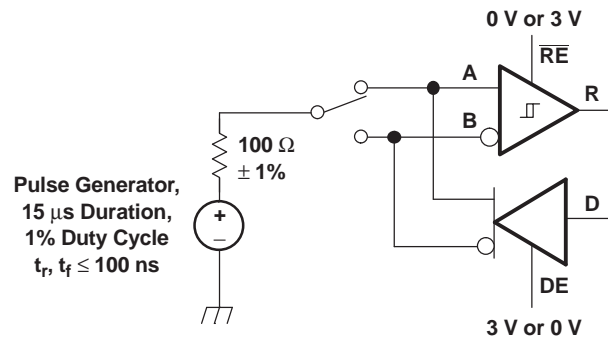


Figure 11. Receiver Enable Time From Standby (Driver Disabled)



NOTE: This test is conducted to test survivability only. Data stability at the R output is not specified.

Figure 12. Test Circuit, Transient Over Voltage Test

**Function Tables**

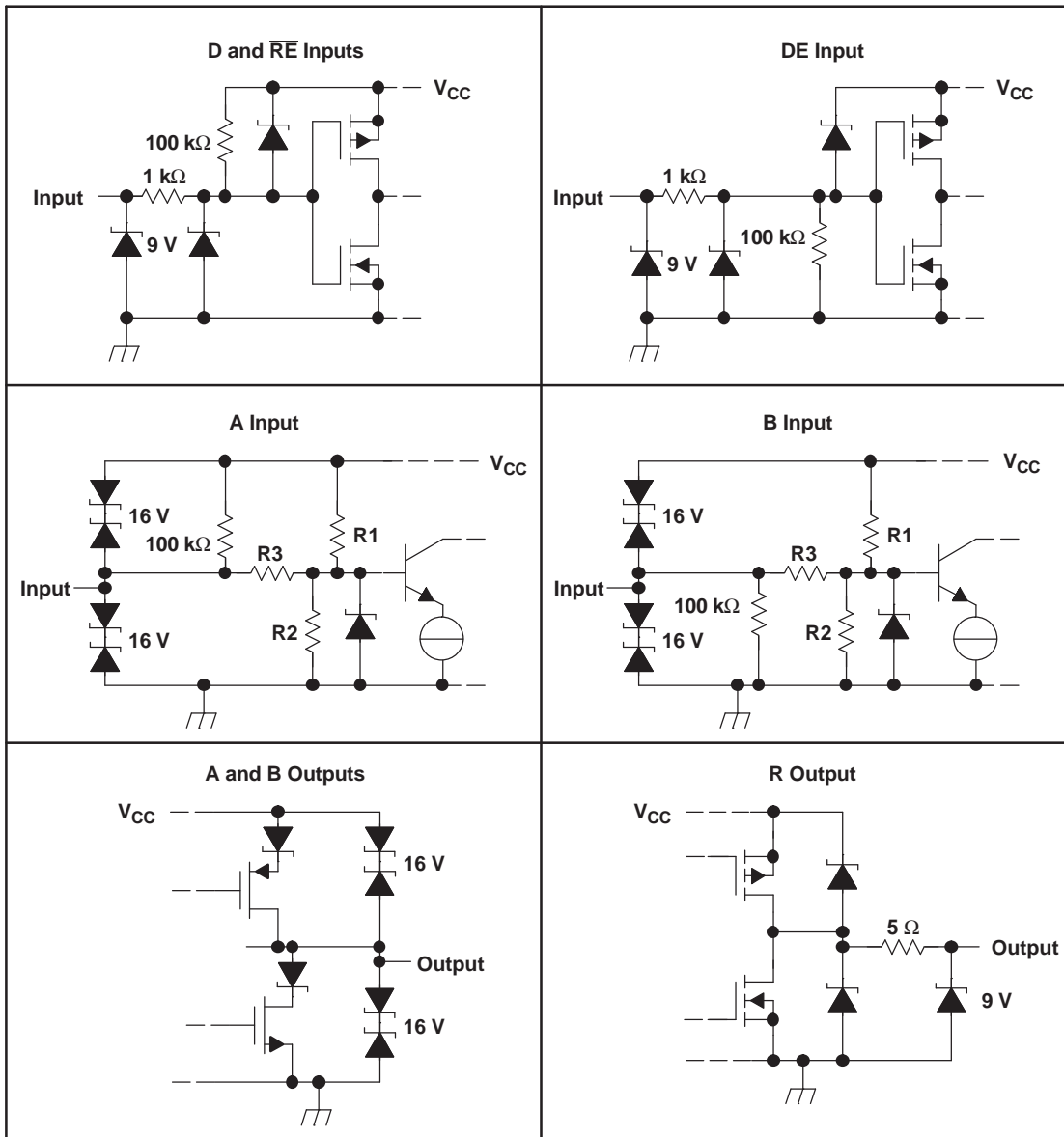
**DRIVER**

| INPUT<br>D | ENABLE<br>DE | OUTPUTS |   |
|------------|--------------|---------|---|
|            |              | A       | B |
| H          | H            | H       | L |
| L          | H            | L       | H |
| X          | L            | Z       | Z |
| Open       | H            | H       | L |

**RECEIVER**

| DIFFERENTIAL INPUTS<br>$V_{ID} = V_A - V_B$ | ENABLE<br>$\overline{RE}$ | OUTPUT<br>R |
|---|---------------------------|-------------|
| $V_{ID} \leq -0.2 \text{ V}$                | L                         | L           |
| $-0.2 \text{ V} < V_{ID} < -0.01 \text{ V}$ | L                         | ?           |
| $-0.01 \text{ V} \leq V_{ID}$               | L                         | H           |
| X   | H                         | Z           |
| Open Circuit                                | L                         | H           |
| Short Circuit                               | L                         | H           |

EQUIVALENT INPUT AND OUTPUT SCHEMATIC DIAGRAMS



|           | R1/R2 | R3     |
|-----------|-------|--------|
| SN65HVD10 | 9 kΩ  | 45 kΩ  |
| SN65HVD11 | 36 kΩ | 180 kΩ |
| SN65HVD12 | 36 kΩ | 180 kΩ |

**TYPICAL CHARACTERISTICS**

**HVD10 OR HVD12**  
**RMS SUPPLY CURRENT**  
**VS**  
**SIGNALING RATE**

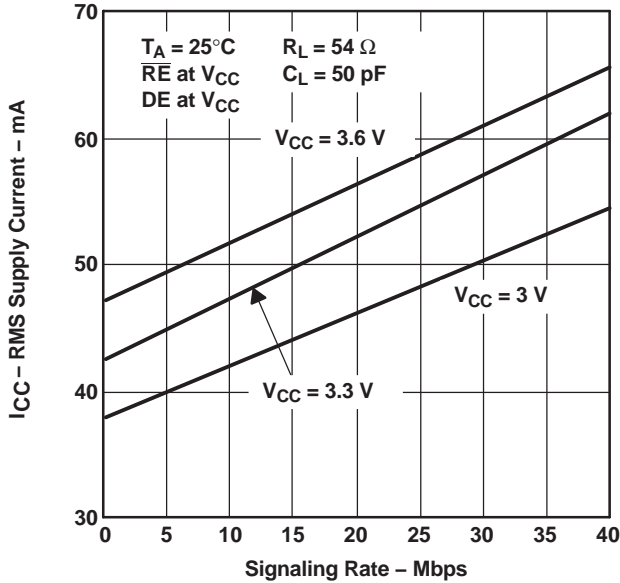


Figure 13.

**HVD11**  
**RMS SUPPLY CURRENT**  
**VS**  
**SIGNALING RATE**

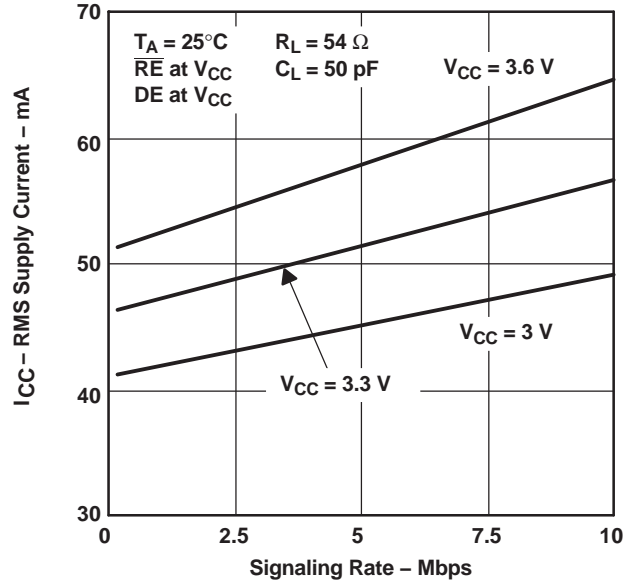


Figure 14.

**HVD12**  
**RMS SUPPLY CURRENT**  
**VS**  
**SIGNALING RATE**

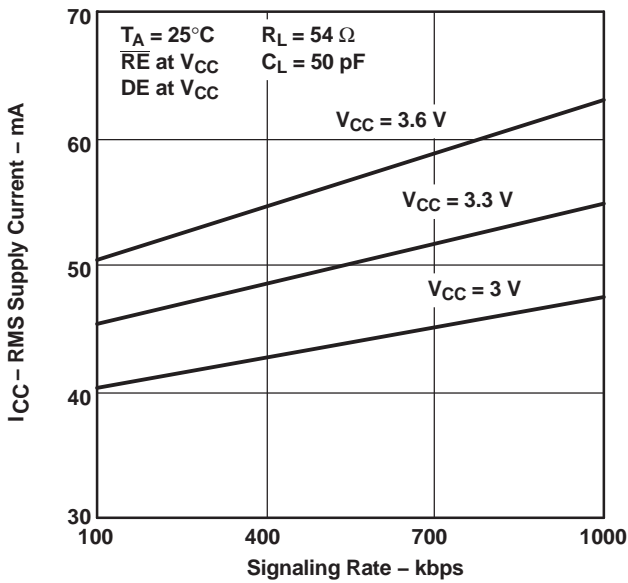


Figure 15.

**HVD10**  
**BUS INPUT CURRENT**  
**VS**  
**BUS INPUT VOLTAGE**

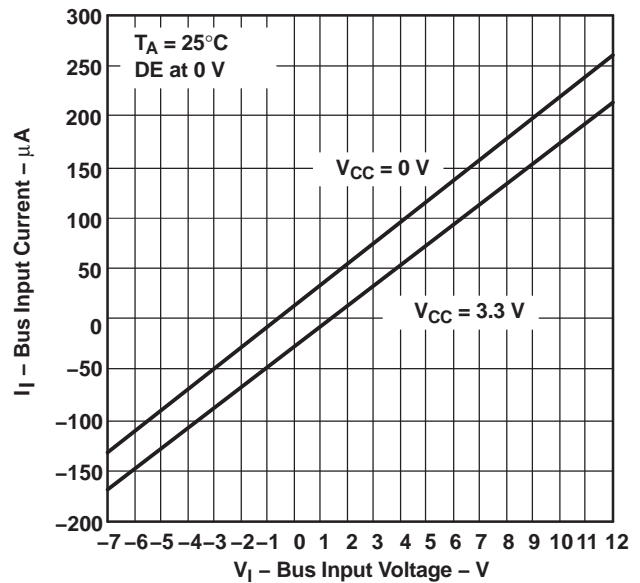


Figure 16.

TYPICAL CHARACTERISTICS (continued)

HVD11 OR HVD12  
BUS INPUT CURRENT  
vs  
BUS INPUT VOLTAGE

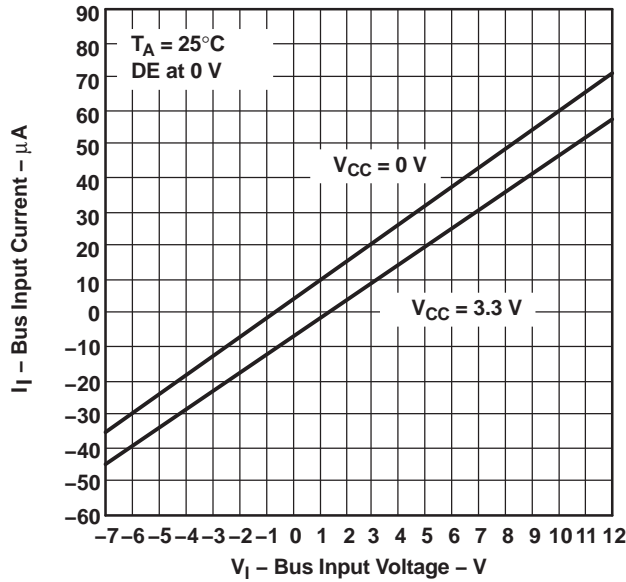


Figure 17.

HIGH-LEVEL OUTPUT CURRENT  
vs  
DRIVER HIGH-LEVEL OUTPUT VOLTAGE

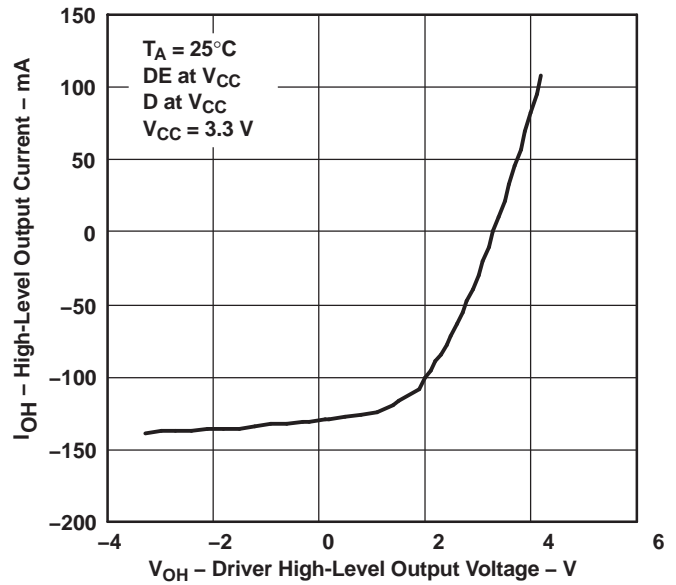


Figure 18.

LOW-LEVEL OUTPUT CURRENT  
vs

DRIVER LOW-LEVEL OUTPUT VOLTAGE

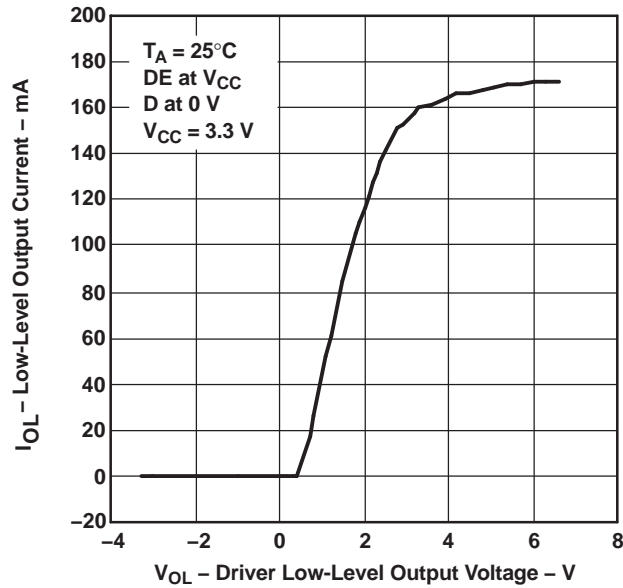


Figure 19.

DRIVER DIFFERENTIAL OUTPUT  
vs

FREE-AIR TEMPERATURE

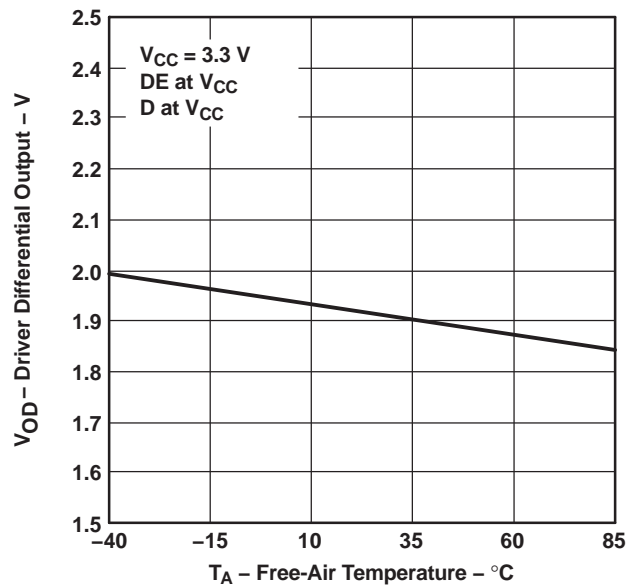
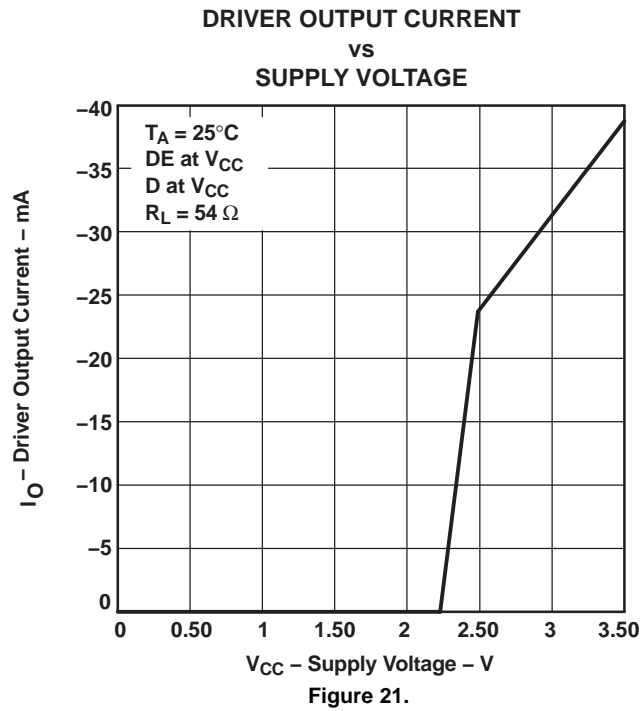


Figure 20.

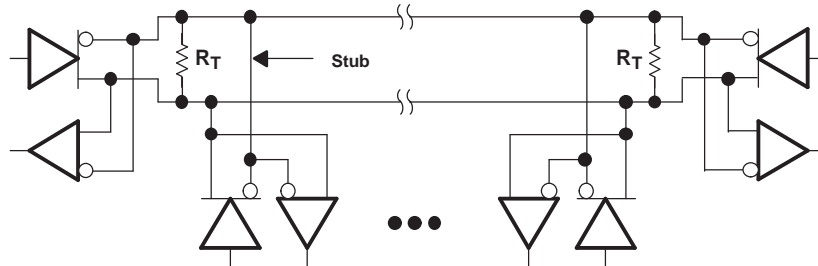


### TYPICAL CHARACTERISTICS (continued)



APPLICATION INFORMATION

An example application for the HVD12 is illustrated in Figure 22. Two HVD12 transceivers are used to communicate data through a 2000 foot (600 m) length of Commscope 5524 category 5e+ twisted pair cable. The bus is terminated at each end by a 100 Ω resistor, matching the cable characteristic impedance. Figure 23 illustrates operation at a signaling rate of 250 kbps.



| Device | Number of Devices on Bus |
|--------|--------------------------|
| HVD10  | 64                       |
| HVD11  | 256                      |
| HVD12  | 256                      |

NOTE: The line should be terminated at both ends with its characteristic impedance ( $R_T = Z_0$ ). Stub lengths off the main line should be kept as short as possible.

Figure 22. Typical Application Circuit

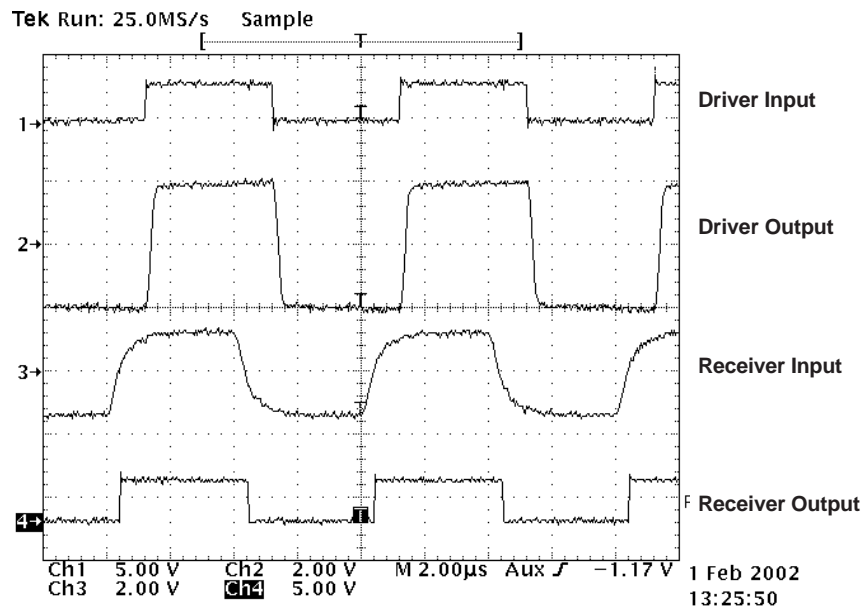


Figure 23. HVD12 Input and Output Through 2000 Feet of Cable

## THERMAL CHARACTERISTICS OF IC PACKAGES

**Junction-to-Ambient Thermal Resistance ( $\theta_{JA}$ )** is defined as the difference in junction temperature to ambient temperature divided by the operating power.

$\theta_{JA}$  is *not* a constant and is a strong function of:

- the PCB design (50% variation)
- altitude (20% variation)
- device power (5% variation)

$\theta_{JA}$  can be used to compare the thermal performance of packages if the specific test conditions are defined and used. Standardized testing includes specification of PCB construction, test chamber volume, sensor locations, and the thermal characteristics of holding fixtures.  $\theta_{JA}$  is often misused when it is used to calculate junction temperatures for other installations.

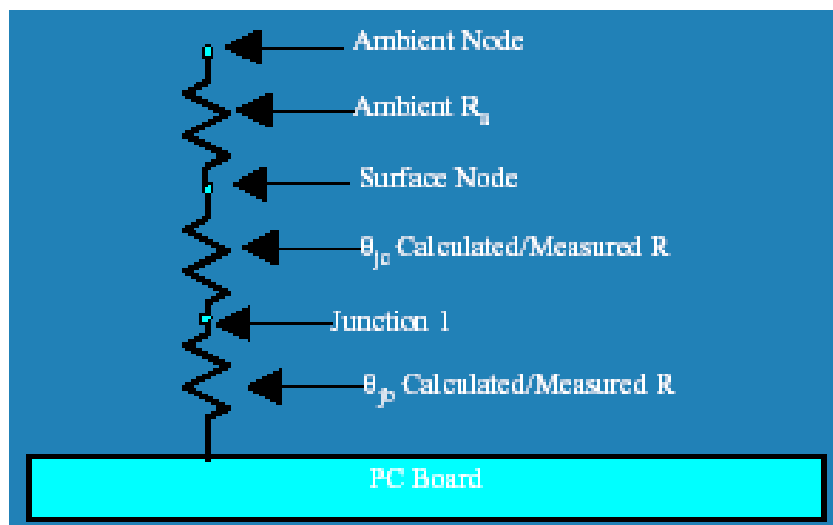
Texas Instruments uses two test PCBs as defined by JEDEC specifications. The low-k board gives *average* in-use condition thermal performance and consists of a single copper trace layer 25 mm long and 2 oz thick. The high-k board gives *best case* in-use condition and it consists of two 1 oz buried power planes with a single copper trace layer 25 mm long and 2 oz thick. A 4% to 50% difference in  $\theta_{JA}$  can be measured between these two test cards

**Junction-to-Case Thermal Resistance ( $\theta_{JC}$ )** is defined as difference in junction temperature to case divided by the operating power. It is measured by putting the mounted package up against a copper block cold plate to force heat to flow from die, through the mold compound into the copper block.

$\theta_{JC}$  is a useful thermal characteristic when a heatsink is applied to package. It is *not* a useful characteristic to predict junction temperature because it provides pessimistic numbers if the case temperature is measured in a nonstandard system and junction temperatures are backed out. It can be used with  $\theta_{JB}$  in one-dimensional thermal simulation of a package system.

**Junction-to-Board Thermal Resistance ( $\theta_{JB}$ )** is defined as the difference in the junction temperature and the PCB temperature at the center of the package (closest to the die) when the PCB is clamped in a cold-plate structure.  $\theta_{JB}$  is defined only for the high-k test card.

$\theta_{JB}$  provides an overall thermal resistance between the die and the PCB. It includes a bit of the PCB thermal resistance (especially for BGAs with thermal balls) and can be used for simple one-dimensional network analysis of the package system (see [Figure 24](#)).



**Figure 24. Thermal Resistance**

**PACKAGING INFORMATION**

| Orderable Device | Status <sup>(1)</sup> | Package Type | Package Drawing | Pins | Package Qty | Eco Plan <sup>(2)</sup> | Lead/Ball Finish | MSL Peak Temp <sup>(3)</sup> |
|------------------|-----------------------|--------------|-----------------|------|-------------|-------------------------|------------------|------------------------------|
| SN65HVD10MDREP   | ACTIVE                | SOIC         | D               | 8    | 2500        | Green (RoHS & no Sb/Br) | CU NIPDAU        | Level-1-260C-UNLIM           |
| SN65HVD10QDREP   | ACTIVE                | SOIC         | D               | 8    | 2500        | Green (RoHS & no Sb/Br) | CU NIPDAU        | Level-1-260C-UNLIM           |
| SN65HVD12IDREP   | ACTIVE                | SOIC         | D               | 8    | 2500        | Green (RoHS & no Sb/Br) | CU NIPDAU        | Level-1-260C-UNLIM           |
| V62/05604-01XE   | ACTIVE                | SOIC         | D               | 8    | 2500        | Green (RoHS & no Sb/Br) | CU NIPDAU        | Level-1-260C-UNLIM           |
| V62/05604-03XE   | ACTIVE                | SOIC         | D               | 8    | 2500        | Green (RoHS & no Sb/Br) | CU NIPDAU        | Level-1-260C-UNLIM           |
| V62/05604-04XE   | ACTIVE                | SOIC         | D               | 8    | 2500        | Green (RoHS & no Sb/Br) | CU NIPDAU        | Level-1-260C-UNLIM           |

<sup>(1)</sup> The marketing status values are defined as follows:

**ACTIVE:** Product device recommended for new designs.

**LIFEBUY:** TI has announced that the device will be discontinued, and a lifetime-buy period is in effect.

**NRND:** Not recommended for new designs. Device is in production to support existing customers, but TI does not recommend using this part in a new design.

**PREVIEW:** Device has been announced but is not in production. Samples may or may not be available.

**OBSOLETE:** TI has discontinued the production of the device.

<sup>(2)</sup> Eco Plan - The planned eco-friendly classification: Pb-Free (RoHS), Pb-Free (RoHS Exempt), or Green (RoHS & no Sb/Br) - please check <http://www.ti.com/productcontent> for the latest availability information and additional product content details.

**TBD:** The Pb-Free/Green conversion plan has not been defined.

**Pb-Free (RoHS):** TI's terms "Lead-Free" or "Pb-Free" mean semiconductor products that are compatible with the current RoHS requirements for all 6 substances, including the requirement that lead not exceed 0.1% by weight in homogeneous materials. Where designed to be soldered at high temperatures, TI Pb-Free products are suitable for use in specified lead-free processes.

**Pb-Free (RoHS Exempt):** This component has a RoHS exemption for either 1) lead-based flip-chip solder bumps used between the die and package, or 2) lead-based die adhesive used between the die and leadframe. The component is otherwise considered Pb-Free (RoHS compatible) as defined above.

**Green (RoHS & no Sb/Br):** TI defines "Green" to mean Pb-Free (RoHS compatible), and free of Bromine (Br) and Antimony (Sb) based flame retardants (Br or Sb do not exceed 0.1% by weight in homogeneous material)

<sup>(3)</sup> MSL, Peak Temp. -- The Moisture Sensitivity Level rating according to the JEDEC industry standard classifications, and peak solder temperature.

**Important Information and Disclaimer:**The information provided on this page represents TI's knowledge and belief as of the date that it is provided. TI bases its knowledge and belief on information provided by third parties, and makes no representation or warranty as to the accuracy of such information. Efforts are underway to better integrate information from third parties. TI has taken and continues to take reasonable steps to provide representative and accurate information but may not have conducted destructive testing or chemical analysis on incoming materials and chemicals. TI and TI suppliers consider certain information to be proprietary, and thus CAS numbers and other limited information may not be available for release.

In no event shall TI's liability arising out of such information exceed the total purchase price of the TI part(s) at issue in this document sold by TI to Customer on an annual basis.

**OTHER QUALIFIED VERSIONS OF SN65HVD10-EP, SN65HVD12-EP :**

- Catalog: [SN65HVD10](#), [SN65HVD12](#)

NOTE: Qualified Version Definitions:

- Catalog - TI's standard catalog product

**TAPE AND REEL INFORMATION**



**QUADRANT ASSIGNMENTS FOR PIN 1 ORIENTATION IN TAPE**



\*All dimensions are nominal

| Device         | Package Type | Package Drawing | Pins | SPQ  | Reel Diameter (mm) | Reel Width W1 (mm) | A0 (mm) | B0 (mm) | K0 (mm) | P1 (mm) | W (mm) | Pin1 Quadrant |
|----------------|--------------|-----------------|------|------|--------------------|--------------------|---------|---------|---------|---------|--------|---------------|
| SN65HVD10MDREP | SOIC         | D               | 8    | 2500 | 330.0              | 12.4               | 6.4     | 5.2     | 2.1     | 8.0     | 12.0   | Q1            |
| SN65HVD10QDREP | SOIC         | D               | 8    | 2500 | 330.0              | 12.4               | 6.4     | 5.2     | 2.1     | 8.0     | 12.0   | Q1            |
| SN65HVD12IDREP | SOIC         | D               | 8    | 2500 | 330.0              | 12.4               | 6.4     | 5.2     | 2.1     | 8.0     | 12.0   | Q1            |

**TAPE AND REEL BOX DIMENSIONS**

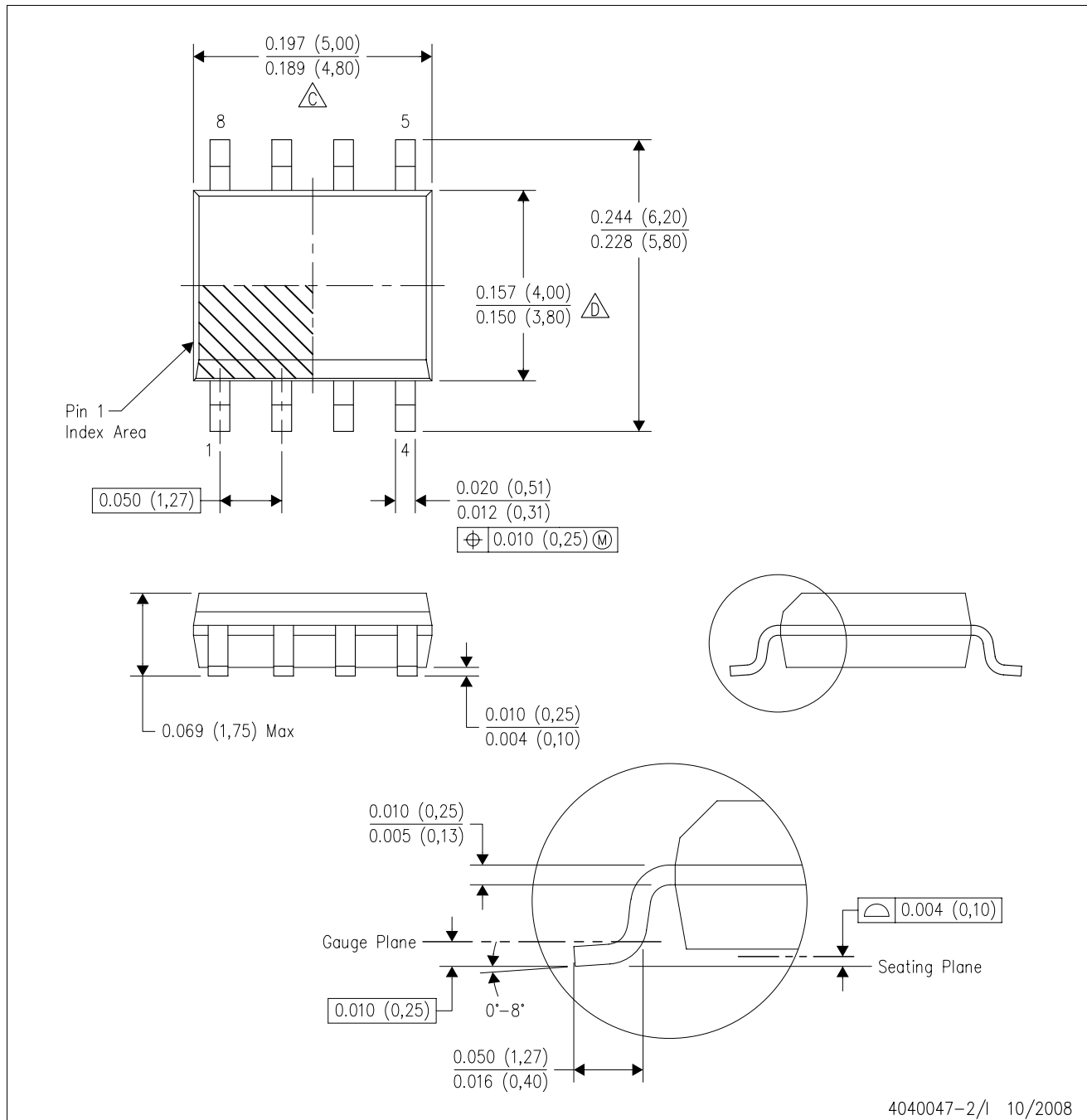


\*All dimensions are nominal

| Device         | Package Type | Package Drawing | Pins | SPQ  | Length (mm) | Width (mm) | Height (mm) |
|----------------|--------------|-----------------|------|------|-------------|------------|-------------|
| SN65HVD10MDREP | SOIC         | D               | 8    | 2500 | 346.0       | 346.0      | 29.0        |
| SN65HVD10QDREP | SOIC         | D               | 8    | 2500 | 346.0       | 346.0      | 29.0        |
| SN65HVD12IDREP | SOIC         | D               | 8    | 2500 | 346.0       | 346.0      | 29.0        |

D (R-PDSO-G8)

PLASTIC SMALL-OUTLINE PACKAGE



- NOTES:
- A. All linear dimensions are in inches (millimeters).
  - B. This drawing is subject to change without notice.
  - △ Body length does not include mold flash, protrusions, or gate burrs. Mold flash, protrusions, or gate burrs shall not exceed .006 (0,15) per end.
  - △ Body width does not include interlead flash. Interlead flash shall not exceed .017 (0,43) per side.
  - E. Reference JEDEC MS-012 variation AA.

## IMPORTANT NOTICE

Texas Instruments Incorporated and its subsidiaries (TI) reserve the right to make corrections, modifications, enhancements, improvements, and other changes to its products and services at any time and to discontinue any product or service without notice. Customers should obtain the latest relevant information before placing orders and should verify that such information is current and complete. All products are sold subject to TI's terms and conditions of sale supplied at the time of order acknowledgment.

TI warrants performance of its hardware products to the specifications applicable at the time of sale in accordance with TI's standard warranty. Testing and other quality control techniques are used to the extent TI deems necessary to support this warranty. Except where mandated by government requirements, testing of all parameters of each product is not necessarily performed.

TI assumes no liability for applications assistance or customer product design. Customers are responsible for their products and applications using TI components. To minimize the risks associated with customer products and applications, customers should provide adequate design and operating safeguards.

TI does not warrant or represent that any license, either express or implied, is granted under any TI patent right, copyright, mask work right, or other TI intellectual property right relating to any combination, machine, or process in which TI products or services are used. Information published by TI regarding third-party products or services does not constitute a license from TI to use such products or services or a warranty or endorsement thereof. Use of such information may require a license from a third party under the patents or other intellectual property of the third party, or a license from TI under the patents or other intellectual property of TI.

Reproduction of TI information in TI data books or data sheets is permissible only if reproduction is without alteration and is accompanied by all associated warranties, conditions, limitations, and notices. Reproduction of this information with alteration is an unfair and deceptive business practice. TI is not responsible or liable for such altered documentation. Information of third parties may be subject to additional restrictions.

Resale of TI products or services with statements different from or beyond the parameters stated by TI for that product or service voids all express and any implied warranties for the associated TI product or service and is an unfair and deceptive business practice. TI is not responsible or liable for any such statements.

TI products are not authorized for use in safety-critical applications (such as life support) where a failure of the TI product would reasonably be expected to cause severe personal injury or death, unless officers of the parties have executed an agreement specifically governing such use. Buyers represent that they have all necessary expertise in the safety and regulatory ramifications of their applications, and acknowledge and agree that they are solely responsible for all legal, regulatory and safety-related requirements concerning their products and any use of TI products in such safety-critical applications, notwithstanding any applications-related information or support that may be provided by TI. Further, Buyers must fully indemnify TI and its representatives against any damages arising out of the use of TI products in such safety-critical applications.

TI products are neither designed nor intended for use in military/aerospace applications or environments unless the TI products are specifically designated by TI as military-grade or "enhanced plastic." Only products designated by TI as military-grade meet military specifications. Buyers acknowledge and agree that any such use of TI products which TI has not designated as military-grade is solely at the Buyer's risk, and that they are solely responsible for compliance with all legal and regulatory requirements in connection with such use.

TI products are neither designed nor intended for use in automotive applications or environments unless the specific TI products are designated by TI as compliant with ISO/TS 16949 requirements. Buyers acknowledge and agree that, if they use any non-designated products in automotive applications, TI will not be responsible for any failure to meet such requirements.

Following are URLs where you can obtain information on other Texas Instruments products and application solutions:

### Products

|                             |  |
|-----------------------------|--|
| Amplifiers                  | <a href="http://amplifier.ti.com">amplifier.ti.com</a>             |
| Data Converters             | <a href="http://dataconverter.ti.com">dataconverter.ti.com</a>     |
| DSP                         | <a href="http://dsp.ti.com">dsp.ti.com</a>                         |
| Clocks and Timers           | <a href="http://www.ti.com/clocks">www.ti.com/clocks</a>           |
| Interface                   | <a href="http://interface.ti.com">interface.ti.com</a>             |
| Logic                       | <a href="http://logic.ti.com">logic.ti.com</a>                     |
| Power Mgmt                  | <a href="http://power.ti.com">power.ti.com</a>                     |
| Microcontrollers            | <a href="http://microcontroller.ti.com">microcontroller.ti.com</a> |
| RFID                        | <a href="http://www.ti-rfid.com">www.ti-rfid.com</a>               |
| RF/IF and ZigBee® Solutions | <a href="http://www.ti.com/lprf">www.ti.com/lprf</a>               |

### Applications

|                    |  |
|--------------------|--|
| Audio              | <a href="http://www.ti.com/audio">www.ti.com/audio</a>                   |
| Automotive         | <a href="http://www.ti.com/automotive">www.ti.com/automotive</a>         |
| Broadband          | <a href="http://www.ti.com/broadband">www.ti.com/broadband</a>           |
| Digital Control    | <a href="http://www.ti.com/digitalcontrol">www.ti.com/digitalcontrol</a> |
| Medical            | <a href="http://www.ti.com/medical">www.ti.com/medical</a>               |
| Military           | <a href="http://www.ti.com/military">www.ti.com/military</a>             |
| Optical Networking | <a href="http://www.ti.com/opticalnetwork">www.ti.com/opticalnetwork</a> |
| Security           | <a href="http://www.ti.com/security">www.ti.com/security</a>             |
| Telephony          | <a href="http://www.ti.com/telephony">www.ti.com/telephony</a>           |
| Video & Imaging    | <a href="http://www.ti.com/video">www.ti.com/video</a>                   |
| Wireless           | <a href="http://www.ti.com/wireless">www.ti.com/wireless</a>             |

Mailing Address: Texas Instruments, Post Office Box 655303, Dallas, Texas 75265  
Copyright © 2008, Texas Instruments Incorporated